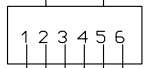
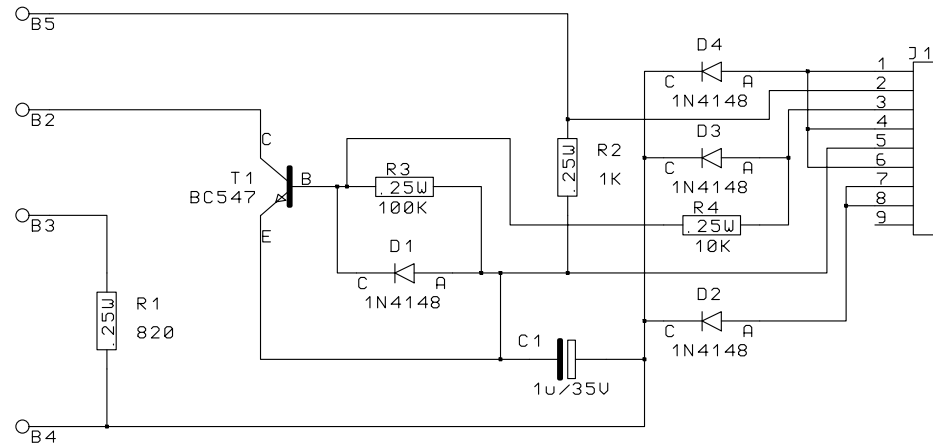


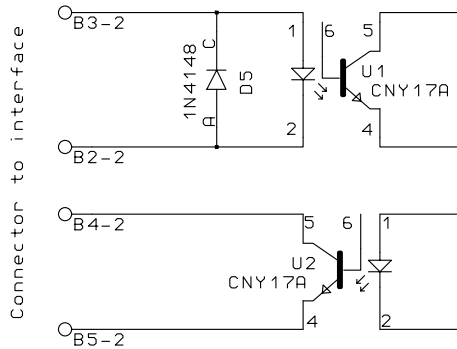
Front_view



Pin 1 and 6 not used



Inside the Soladin 600



To Processor PIC18F252
inside the Soladin 600

Property of :		
Project : Soladin 600	Rev : 1	Sub 0
Subname : PC-Interface	Date : 30-Sep-2006	
Hardware Engineer :		
CAD Engineer :		
Company :		
Address :		
City :		
State : : Nederland		
Initial date Aug 2006	Page : 1	of : 1